

E-Touch IV380

High Capacity Solution



IVTS
Innovative Solutions

IV380 High Capacity

The IV380 comes as standard with a maximum bin capacity of 810 . A Version with 1080 locations is also available to offer a maximum capacity solution.

Simple yet effective

Simple carousel reconfiguration for flexible storage.
Dispense single or kitted Items.

Easily Configurable

The divider system allows the user to add or remove items within minutes.
This ensures that the machine is future proof.

Suggested Inventory

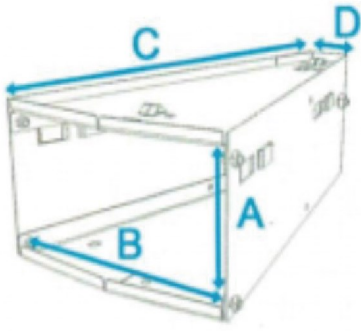
- Gloves
- Safety Glasses
- Masks
- Batteries
- Inserts, Cutting Tips, Taps & Dies
- Hand Tools

The IV380 offers high-security dispensing, giving you the ability to manage the distribution of hundreds of items at the point of use.

Carousel dispensing provides the flexibility to issue one or multiple items whilst eliminating the unproductive time of walking to and from a tool store.

The Carousel allows for easy configuration of multiple sized items, such as PPE, cutting tools, gauges, and batteries. Driven by E-Touch software, the IV380 reduces stockouts, lowers costs, and controls inventory consumption.





Dimensions in mm

Number of Compartments	A	B	C	D
810	80	50	275	10
540	80	75	275	15
270	170	150	275	30
405	170	50	275	10
270	170	75	275	15
135	170	150	275	30
270	270	50	275	10
180	270	75	275	15

Features & Benefits

24-7 availability with 100% accountability

Fully Multi - lingual solution

Remote sync to database

Login by keypad, Proximity or Biometrics

Distributor and End-User Branding

Unlimited User logins for Distributor and End-Users

Easy to use search function

Asset and Gauge management

Robust Durable and easy to use

Specification

Dimensions	1915 (H)	805 (W)	790 (D)
Locations	18 trays	45 divisions	810 max
Power	230v	50hz	1 amp
Weight	420kg		



Capacity (chamber/ one shelf type)

150 x 270 mm	90
75 x 270 mm	180
150 x 170 mm	135
150 x 80 mm	270
75 x 170 mm	270
75 x 80 mm	540
80 x 50 mm	810

Software

Web Based Management Portal

API Supported

Scheduler for Reports and Purchase Orders

Access Control

Units 8 & 9 Mucklow Hill Trading Estate,
Halesowen, West Midlands, B62 8DF
+44 (0) 345 388 4417
+44 (0) 121 794 2777
sales@ivts.co.uk

